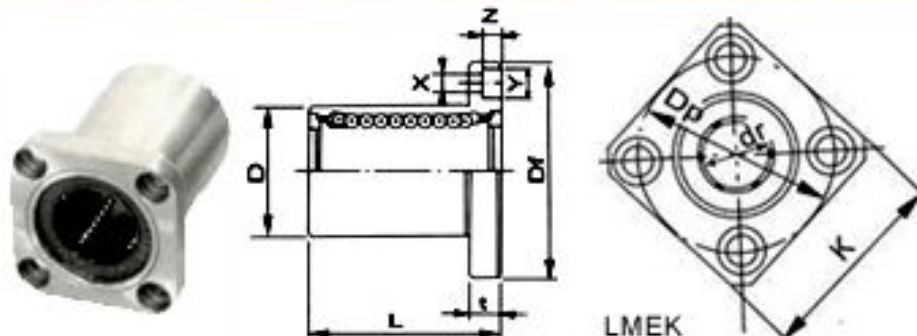




LINEAR MOTION BEARINGS

Metric Dimensions

LMEK Series



Dimension Table of LMEK Series

Designation	Weight (g)	Main dimensions and tolerance													Basic Dynamic Load Rating C (Kgf)	Basic Static Load Rating CO (Kgf)		
		mm	dr Tolerance μm	D mm	Tolerance μm	L mm	Tolerance μm	Df mm	t mm	Dp mm	K mm	X mm	Y mm	Z mm			Eccentricity μm	Squareness μm
LMEK 8UU	44	8	+8	16	0 -8	25	0	32	5	24	25	3.4	6.5	3.3			260	400
LMEK 12UU	86	12	0	22	0	32	0	42	6	32	32	4.5	8	4.4	12	12	500	770
LMEK 16UU	120	16	+9	26	-9	36	-0.2	46	6	36	35	4.5	8	4.4			570	890
LMEK 20UU	184	20	-1	32	0	45		54	8	43	42	5.5	9.5	5.4			860	1370
LMEK 25UU	335	25	+11	40	-11	58	0	62	8	51	50	5.5	9.5	5.4	15	15	980	1560
LMEK 30UU	545	30	-1	47		68	0	76	10	62	60	6.6	11	6.5			1560	2740
LMEK 40UU	1185	40		62	0 -13	80	-3	98	13	80	75	9	14	8.6	17	17	2150	4010
LMEK 50UU	1730	50	+13	75		100		112	13	94	88	9	14	8.6			3820	7930
LMEK 60UU	3180	60	-2	90	0 -15	125	0 -0.4	134	18	112	106	11	17.5	10.8	20	20	4700	9990