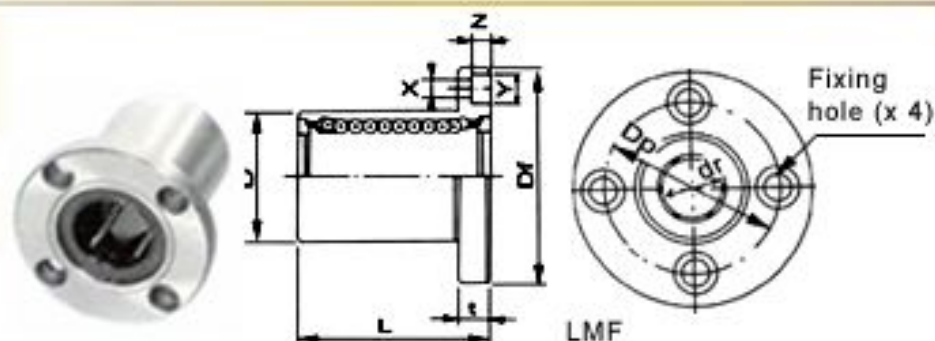




# LINEAR MOTION BEARINGS

Metric Dimensions

## LMF Series



Dimension Table of LMF Series

Designation	Weight (g)	Main dimensions and tolerance											Eccentricity $\mu\text{m}$	Squareness $\mu\text{m}$	Basic Dynamic Load Rating C (Kgf)	Basic Static Load Rating CO (Kgf)	
		dr mm	Tolerance $\mu\text{m}$	D mm	Tolerance $\mu\text{m}$	L mm	Tolerance $\mu\text{m}$	Df mm	t mm	Dp mm	X mm	Y mm					Z mm
LMF 6UU	26.5	6		12	0	19		28	5	20	3.5	6	3.1			21	27
LMF 8SUU	34	8		15	-11	17		32	5	24	3.5	6	3.1			18	22
LMF 8UU	40	8	0	15	-11	24		32	5	24	3.5	6	3.1			28	40
LMF 10UU	78	10	-9	19		29	0	40	6	29	4.5	7.5	4.1	12	12	38	56
LMF 12UU	86	12		21	0	30	-200	42	6	32	4.5	7.5	4.1			52	61
LMF 13UU	94	13		23	-13	32		43	6	33	4.5	7.5	4.1			52	80
LMF 16UU	134	16		28		37		48	6	38	4.5	7.5	4.1			79	120
LMF 20UU	180	20	0	32	0	42		54	8	43	5.5	9	5.1			90	140
LMF 25UU	340	25	-10	40	-19	59		62	8	51	5.5	9	5.1	15	15	100	160
LMF 30UU	460	30		45		64		74	10	60	6.6	11	6.1			160	280
LMF 35UU	795	35	0	52	0	70	0	82	10	67	6.6	11	6.1			170	320
LMF 40UU	1054	40	-12	60	-22	80	-300	96	13	78	9	14	8.1	20	20	220	410
LMF 50UU	2200	50		80		100		116	13	98	9	14	8.1			390	810
LMF 60UU	2960	60	0	90	0	110		134	18	112	11	17	11.1	25	25	480	1020
LMF 80UU	5800	80	-15	120	-22	140		164	18	142	11	17	11.1			750	1630
LMF 100UU	10600	100	0	150	0	175	-400	200	20	175	14	20	13	30	30	1440	3550