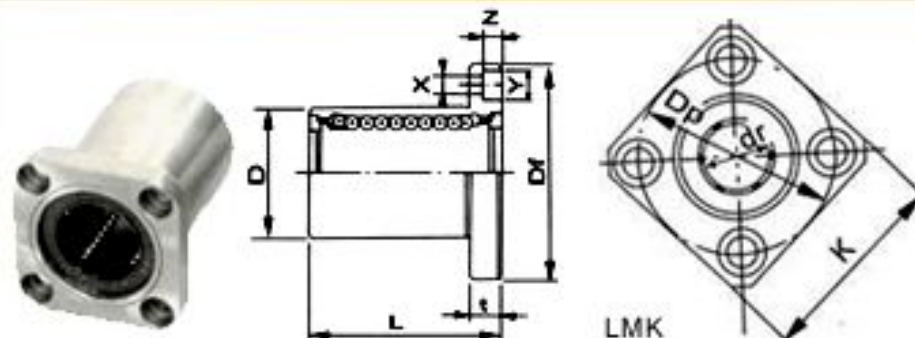




LINEAR MOTION BEARINGS

Metric Dimensions

LMK Series



Dimension Table of LMK Series

Designation	Weight (g)	Main dimensions and tolerance													Eccentricity μm	Squareness μm	Basic Dynamic Load Rating C (Kgf)	Basic Static Load Rating CO (Kgf)
		mm	dr Tolerance μm	D mm Tolerance μm	L mm Tolerance μm	Df mm	K mm	t mm	Dp mm	X mm	Y mm	Z mm						
LMK 6UU	26.5	6		12		19		28	22	5	20	3.5	6	3.1			21	27
LMK 8SUU	34	8		15	0	17		32	25	5	24	3.5	6	3.1			18	22
LMK 8UU	40	8	0	15	-11	24		32	25	5	24	3.5	6	3.1			28	40
LMK 10UU	78	10	-9	19		29	0	40	30	6	29	4.5	7.5	4.1	12	12	38	56
LMK 12UU	86	12		21	0	30	-200	42	32	6	32	4.5	7.5	4.1			52	61
LMK 13UU	94	13		23	-13	32		43	34	6	33	4.5	7.5	4.1			52	80
LMK 16UU	134	16		28		37		48	37	6	38	4.5	7.5	4.1			79	120
LMK 20UU	180	20	0	32	0	42		54	42	8	43	5.5	9	5.1			90	140
LMK 25UU	340	25	-10	40	-19	59		62	50	8	51	5.5	9	5.1	15	15	100	160
LMK 30UU	460	30		45		64		74	58	10	60	6.6	11	6.1			160	280
LMK 35UU	795	35	0	52	0	70	0	82	64	10	67	6.6	11	6.1			170	320
LMK 40UU	1054	40	-12	60	-22	80	-300	96	75	13	78	9	14	8.1	20	20	220	410
LMK 50UU	2200	50		80		100		116	92	13	98	9	14	8.1			390	810
LMK 60UU	2960	60	0	90	0	110		134	106	18	112	11	17	11	25	25	480	1020
LMK 80UU	5800	80	-15	120	-22	140		164	136	18	142	11	17	11			750	1630
LMK 100UU	10600	100	0 -20	150	0 -25	175	0 -400	200	170	20	175	14	20	13	30	30	1440	3550