

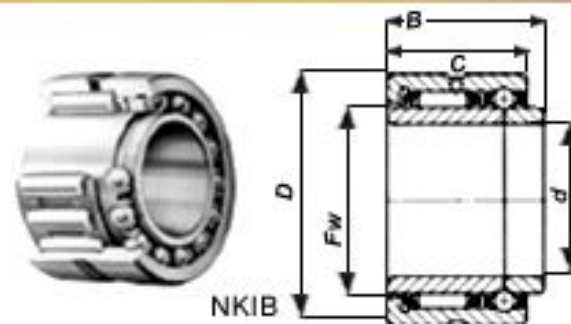


# MACHINED NEEDLE ROLLER BEARINGS

Metric Dimensions

## KHS

NKIB Series



Dimension Table of NKIB Series

Designation	Weight (g)	Dimensions (mm)					Basic Dynamic Load Rating (Kgf)		Basic Static Load Rating (Kgf)	
		d	D	C	B	Fw	Radial	Axial	Radial	Axial
NKIB 5901	43	12	24	16	17.5	16	760	190	830	300
NKIB 5902	52	15	28	18	20	20	790	190	1040	300
NKIB 5903	58	17	30	18	20	22	840	210	1170	340
NKIB 5904	108	20	37	23	25	25	1460	390	1880	620
NKIB 5905	134	25	42	23	25	30	1610	440	2250	770
NKIB 5906	152	30	47	23	25	35	1800	460	2740	860
NKIB 5907	260	35	55	27	30	42	2440	510	4290	1050
NKIB 5908	320	40	62	30	34	48	3130	540	6160	1200
NKIB 5909	380	45	68	30	34	55	3330	580	6980	1290
NKIB 5910	385	50	72	30	34	58	3420	580	7390	1390
NKIB 5911	555	55	80	34	38	63	4030	1050	7600	2520
NKIB 5912	595	60	85	34	38	68	4270	1090	8380	2720
NKIB 5913	640	65	90	34	38	75	4470	1120	9210	2920
NKIB 5914	985	70	100	40	45	80	5750	1370	13000	3570

KHS