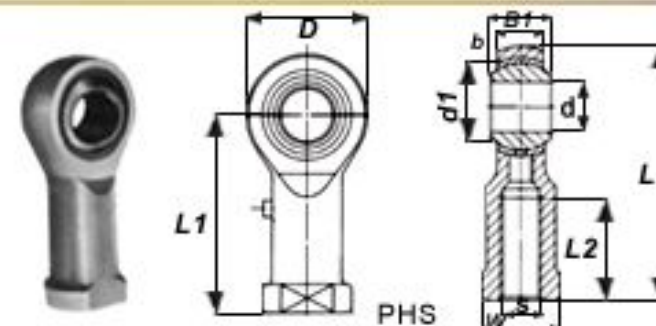




ROD END BEARINGS

Metric Dimensions

PHS Series



Dimension Table of PHS Series

Designation	Weight (g)	d	Thread (S)	Dimensions (mm)								Dynamic Load Capacity (kgf)	Static Load Capacity (kgf)
				D	B	B1	d1	L	L1	L2	W		
PHS 3	5.7	3	M3 X 0.5	12	4.5	6	5.2	27	21	10	5.5	180	370
PHS 4	11.9	4	M4 X 0.7	14	5.3	7	6.5	31	24	12	8	250	470
PHS 5	16.5	5	M5 X 0.8	16	6	8	7.7	35	27	14	9	330	580
PHS 6	25	6	M6 X 1	20	6.75	9	9	40	30	14	11	430	710
PHS 8	43	8	M8 X 1.25	24	9	12	10.4	48	38	17	14	710	1040
PHS 10	72	10	M10 X 1.5	28	10.5	14	12.9	57	43	21	17	1000	1360
PHS 12	107	12	M12 X 1.75	32	12	16	15.4	66	50	24	19	1330	1730
PHS 14	160	14	M14 X 2	36	13.5	19	16.9	75	57	27	22	1710	2130
PHS 16	210	16	M16 X 2	42	15	21	19.4	84	64	33	22	2140	2590
PHS 18	295	18	M18 X 1.5	46	16.5	23	21.9	93	71	36	27	2620	3080
PHS 20	380	20	M20 X 1.5	50	18	25	24.4	101	77	40	30	3140	3620
PHS 22	490	22	M22 X 1.5	54	20	28	25.8	109	84	43	32	3810	4260
PHS 25	750	25	M24 X 2	60	22	31	29.6	124	94	48	36	4710	7410
PHS 28	950	28	M27 X 2	66	25	35	32.3	136	103	53	41	5950	8870
PHS 30	1130	30	M30 X 2	70	25	37	34.8	145	110	56	41	6350	9400

Note : Special Pitch also available in some sizes

