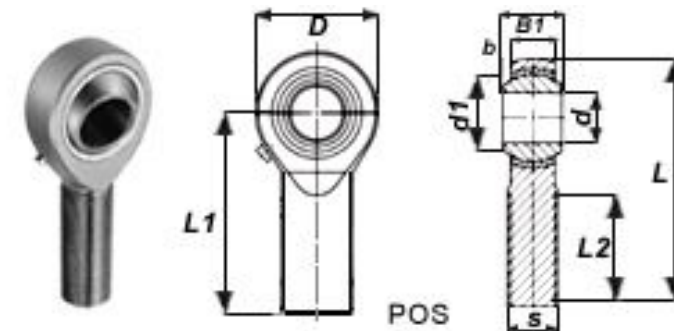




ROD END BEARINGS

Metric Dimensions

POS Series



Dimension Table of POS Series

Designation	Weight (g)	d	Thread (S)	Dimensions (mm)							Dynamic Load Capacity (kgf)	Static Load Capacity (kgf)
				D	B	B1	d1	L	L1	L2		
POS 3	5	3	M3 X 0.5	12	4.5	6	5.2	33	27	15	180	370
POS 4	8.1	4	M4 X 0.7	14	5.3	7	6.5	37	30	17	250	470
POS 5	12.5	5	M5 X 0.8	16	6	8	7.7	41	33	20	330	580
POS 6	19	6	M6 X 1	20	6.75	9	9	46	36	22	430	710
POS 8	32	8	M8 X 1.25	24	9	12	10.4	54	42	25	710	1040
POS 10	54	10	M10 X 1.5	28	10.5	14	12.9	62	48	29	1000	1360
POS 12	85	12	M12 X 1.75	32	12	16	15.4	70	54	33	1330	1730
POS 14	126	14	M14 X 2	36	13.5	19	16.9	78	60	36	1710	2130
POS 16	185	16	M16 X 2	42	15	21	19.4	86	66	40	2140	2590
POS 18	260	18	M18 X 1.5	46	16.5	23	21.9	94	72	44	2620	3080
POS 20	340	20	M20 X 1.5	50	18	25	24.4	102	78	47	3140	3620
POS 22	435	22	M22 X 1.5	54	20	28	25.8	109	84	51	3810	4260
POS 25	650	25	M24 X 2	60	22	31	29.6	124	94	57	4710	7410
POS 28	875	28	M27 X 2	66	25	35	32.3	136	103	62	5950	8870
POS 30	1070	30	M30 X 2	70	25	37	34.8	145	110	66	6350	9400

Note : Special Pitch also available in some sizes

