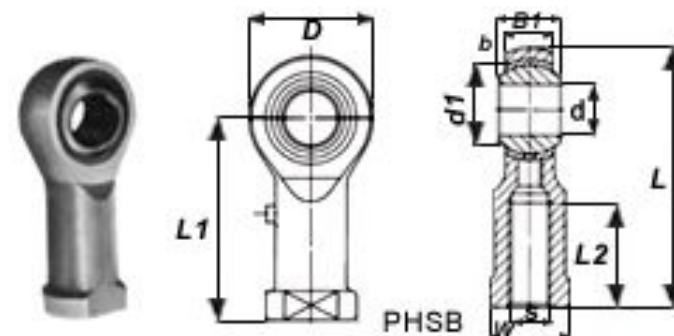




ROD END BEARINGS

Inch Dimensions

PHSB Series



Dimension Table of PHSB Series

Designation	Weight (g)	d		Thread (S) Class 3B	D		B		Dimensions Inch (mm)				L		L1		L2		W		Dynamic Load Capacity (kgf)	Static Load Capacity (kgf)
		inch	mm		inch	mm	inch	mm	inch	mm	inch	mm	inch	mm	inch	mm	inch	mm	inch	mm		
PHSB 2	7	0.1250	3.175	.1380-32UNC	0.469	11.91	0.187	4.75	0.250	6.35	0.187	4.75	1.048	26.57	0.812	20.62	0.375	9.53	0.250	6.35	190	610
PHSB 2.5	11	0.1562	3.967	.1640-32UNC	0.562	14.27	0.219	5.56	0.281	7.14	0.249	6.32	1.156	29.36	0.875	22.23	0.375	9.53	0.281	7.14	260	860
PHSB 3	15	0.1900	4.826	.1900-32UNF	0.625	15.88	0.250	6.35	0.312	7.92	0.306	7.77	1.375	34.93	1.062	26.97	0.562	14.27	0.312	7.92	350	950
PHSB 4	25	0.2500	6.350	.2500-28UNF	0.750	19.05	0.281	7.14	0.375	9.53	0.355	9.02	1.687	42.85	1.312	33.32	0.750	19.05	0.375	9.53	470	1380
PHSB 5	36	0.3125	7.938	.3125-24UNF	0.875	22.23	0.344	8.74	0.437	11.10	0.447	11.35	1.812	46.02	1.375	34.93	0.750	19.05	0.437	11.10	690	1720
PHSB 6	61	0.3750	9.525	.3750-24UNF	1.000	25.40	0.406	10.31	0.500	12.70	0.517	13.13	2.125	53.98	1.625	41.28	0.937	23.80	0.562	14.27	940	2260
PHSB 7	81	0.4375	11.112	.4375-20UNF	1.125	28.58	0.437	11.10	0.562	14.27	0.586	14.88	2.375	60.33	1.812	46.02	1.062	26.97	0.625	15.88	1150	2730
PHSB 8	133	0.5000	12.700	.5000-20UNF	1.312	33.32	0.500	12.70	0.625	15.88	0.698	17.73	2.781	70.64	2.125	53.98	1.187	30.15	0.750	19.05	1510	3800
PHSB 10	190	0.6250	15.875	.6250-18UNF	1.500	38.10	0.562	14.27	0.750	19.05	0.839	21.31	3.250	82.55	2.500	63.50	1.500	38.10	0.875	22.23	2040	4100
PHSB 12	285	0.7500	19.050	.7500-16UNF	1.750	44.45	0.687	17.45	0.875	22.23	0.978	24.84	3.750	95.25	2.875	73.03	1.750	44.45	1.000	25.40	2910	5760
PHSB 16	1000	1.0000	25.400	1.2500-12UNF	2.750	69.85	1.000	25.40	1.375	34.925	1.269	32.23	5.500	139.70	4.125	104.78	2.125	53.98	1.500	38.10	6050	8850

