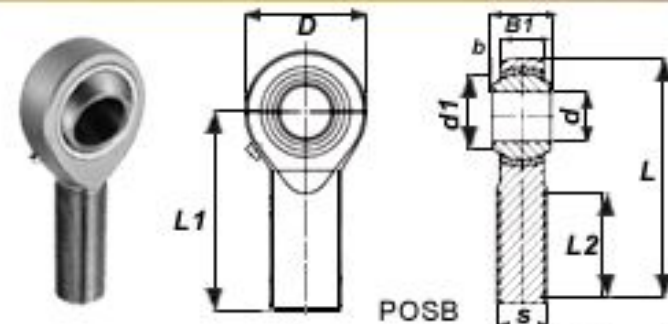




ROD END BEARINGS

Inch Dimensions

POSB Series



POSB

Dimension Table of POSB Series

Designation	Weight (g)	d		Thread (S) Class 3B	D		B		B1		d1		L		L1		L2		Dynamic Load Capacity (kgf)	Static Load Capacity (kgf)
		inch	mm		inch	mm	inch	mm	inch	mm	inch	mm	inch	mm	inch	mm	inch	mm		
POSB 2	5.5	0.1250	3.175	.1380-32UNC	0.469	11.91	0.187	4.75	0.250	6.35	0.187	4.75	1.172	29.77	0.937	23.80	0.500	12.70	190	230
POSB 2.5	9	0.1562	3.967	.1640-32UNC	0.562	14.27	0.219	5.56	0.281	7.14	0.249	6.32	1.406	35.71	1.125	28.58	0.625	15.88	260	350
POSB 3	12.5	0.1900	4.826	.1900-32UNF	0.625	15.88	0.250	6.35	0.312	7.92	0.308	7.77	1.583	39.70	1.250	31.75	0.750	19.05	350	510
POSB 4	22	0.2500	6.350	.2500-28UNF	0.750	19.05	0.281	7.14	0.375	9.53	0.355	9.02	1.937	49.20	1.562	39.67	1.000	25.40	470	930
POSB 5	37	0.3125	7.938	.3125-24UNF	0.875	22.23	0.344	8.74	0.437	11.10	0.447	11.35	2.312	58.72	1.875	47.63	1.250	31.75	690	1490
POSB 6	55	0.3750	9.525	.3750-24UNF	1.000	25.40	0.406	10.31	0.500	12.70	0.517	13.13	2.438	61.93	1.938	49.23	1.250	31.75	940	2280
POSB 7	78	0.4375	11.112	.4375-20UNF	1.125	28.58	0.437	11.10	0.562	14.27	0.588	14.88	2.688	68.28	2.125	53.98	1.375	34.93	1150	2730
POSB 8	120	0.5000	12.700	.5000-20UNF	1.312	33.32	0.500	12.70	0.625	15.88	0.698	17.73	3.094	78.59	2.438	61.93	1.500	38.10	1510	3800
POSB 10	184	0.6250	15.875	.6250-18UNF	1.500	38.10	0.562	14.27	0.750	19.05	0.839	21.31	3.375	85.73	2.625	66.68	1.625	41.28	2040	4100
POSB 12	293	0.7500	19.050	.7500-16UNF	1.750	44.45	0.687	17.45	0.875	22.23	0.978	24.84	3.750	95.25	2.875	73.03	1.750	44.45	2910	5760
POSB 16	1100	1.0000	25.400	1.2500-12UNF	2.750	69.85	1.000	25.40	1.375	34.925	1.269	32.23	5.500	139.70	4.125	104.78	2.125	53.98	6050	11500

