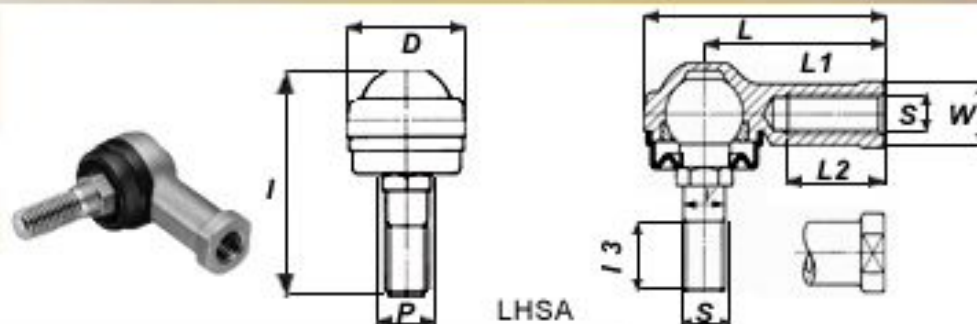




# ROD END BEARINGS

Metric Dimensions

LHSA Series



Dimension Table of LHSA Series

Designation	Weight (g)	Thread S	Dimensions (mm)									Static Load Capacity (kgf)
			V	D	L	L1	L2	W	L	P	I3	
LHSA 4	11	M4 X 0.7	4	14	25.5	18	8	8	19.5	5.5	5	90
LHSA 5	27	M5 X 0.8	5	17	38.5	30	16	10	32.5	8	10	120
LHSA 6	27	M6 X 1	6	19	39.5	30	16	10	32.5	8	10	170
LHSA 8	64	M8 X 1.25	8	24	48	36	19	14	41.5	10	12.5	440
LHSA 10	106	M10 X 1.25	10	28	57	43	23	17	49	12	17	750
LHSA 10 M	106	M10 X 1.5	10	28	57	43	23	17	49	12	17	750
LHSA 12	180	M12 X 1.75	12	34	67	50	27	19	64	14	20	1010
LHSA 14	260	M14 X 2	14	38	76	57	30	22	72	17	22	1490
LHSA 16	300	M16 X 2	16	40	84	64	36	22	74	19	23	1990
LHSA 18	445	M18 X 1.5	18	45	93.5	71	40	27	84	22	25	2610
LHSA 20	580	M20 X 1.5	20	49	101.5	77	43	30	90.5	24	27	3210
LHSA 22	765	M22 X 1.5	22	54	111	84	47	32	99	27	30	4050

